

Installation Guidelines



Exteria Building Products provides these instructions as installation guidelines. Exteria, however, neither installs the panels nor has any control over the installation. It is the responsibility of the contractor and/or the installer to ensure Exteria siding panels are installed in accordance with these instructions and any applicable building codes. Exteria assumes no liability for either improper installation or personal injury resulting from improper use or installation.



For more information on Exteria and its wide variety of state-of-the-art products, please call us at 877-398-3742 or fax to (305) 623-8227. Installation Guidelines can be downloaded from www.exteriabp.com.

Basic Guidelines

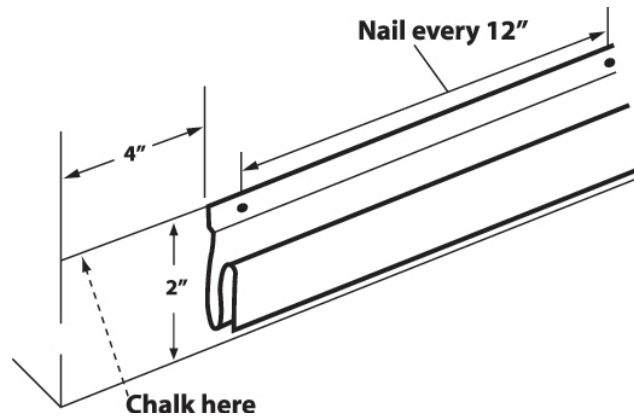
- 1) Always work from left to right installing one row at a time, and completing one wall before beginning another. Always start at the lowest point of the structure.
- 2) Exteria panels are intended for use in a vertical placement only and are not designed or warranted for roofing or flooring applications. However, mansard roofs with a 45/12 slope or greater are acceptable applications.
- 3) It is essential to work over a smooth flat nailable wall surface. (i.e. 7/16" or thicker OSB board or plywood is recommended). When this product is being installed over furring strips, ensure that the side seams are supported by furring strip segments.
- 4) Fastening the panels should not restrict panel movement. Fasteners should be driven straight into the center of any nailing slot making light contact with the panel, allowing the panel to be hung. The center nail hole must always be nailed to ensure that the panel expands and contracts from the center out. It is best to work with the panels at waist level, allowing the installer to inspect the back of the panels, verifying that the rail is completely engaged.
- 5) Siding has always been designed as an exterior cladding, not a weather resistant barrier. Siding is designed to allow the material underneath to breathe; therefore, it is not a watertight covering. To achieve designed performance, Exteria siding must be installed over a weather resistant barrier system such as house wrap.
- 6) Fixtures cannot be installed directly to the siding; always use a wooden support or specifically designed mounting blocks to attach fixtures. Follow the mounting block manufacturer's installation instructions and ensure proper clearance to the Exteria siding – recommended minimum of ¼" - to allow room for expansion and contraction.
- 7) Store panels on edge; do not stack flat.
- 8) Rough Sawn corners must be installed on wall corners prior to installing the Rough Sawn Single EZ panel. It is recommended that no more than two corner pieces are installed at one time so that slight adjustments can be made if necessary.

Installation Steps:

Step One:

Level and install the starter strip at the lowest point of the structure, leaving room for corner posts, corners or J-channels. Nail the starter strip every 12" ensuring that the starter strip remains level. A chalk line is recommended. (Figure #1)

(Figure #1)

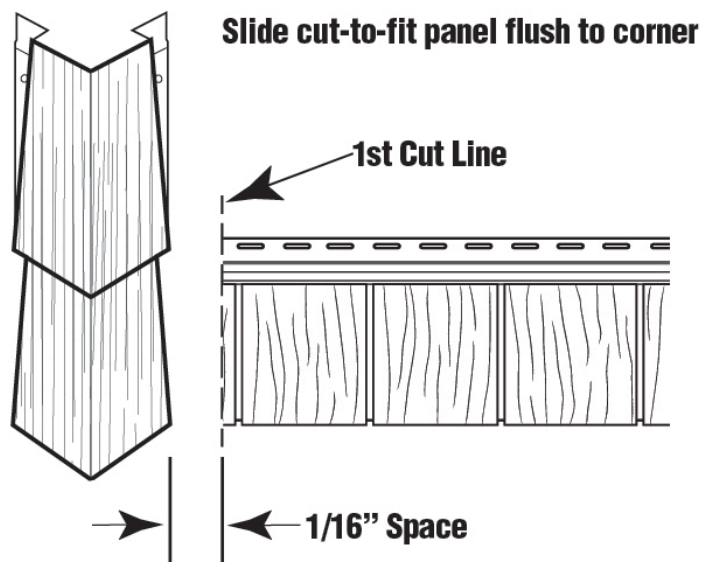


Step Two:

Determine the number of panels needed for the wall by dividing the total length of the wall in inches, less the width of the corner pieces used, by 89 1/2". Cut the first panel so the left edge is flush. Any installed panel should be at least 12" long.

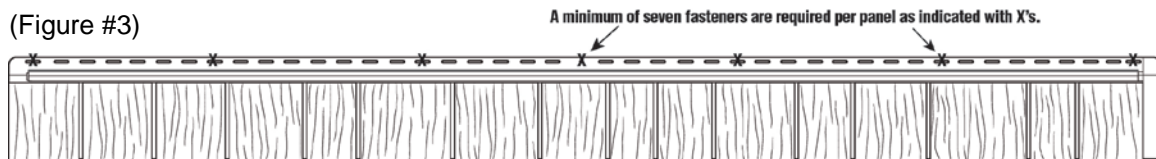
Step Three: Working from left to right slide panel upward to engage locking rail leaving 1/16" space between corner and cut panel. (Figure #2)

(Figure #2)



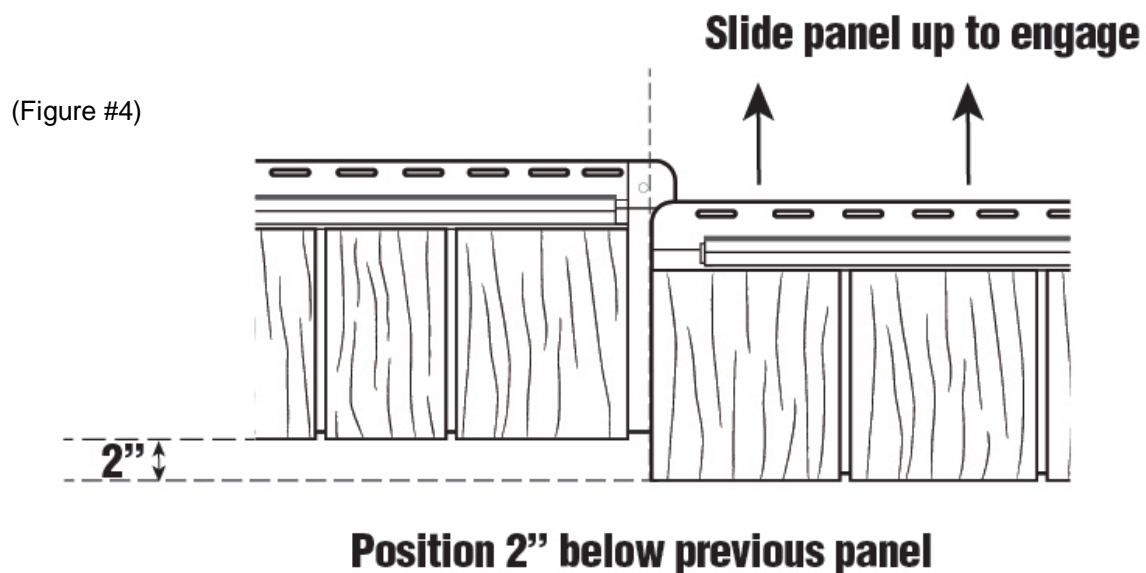
Step Four:

The panel requires a minimum of seven fasteners spaced at a maximum of 16" per panel. Fasten the center (pilot) hole first. Fasteners then must be placed in the far left and far right nailing slots. Then attach 2 fasteners evenly spaced to the left of the center hole and 2 evenly spaced to the right of the center hole (Figure #3). Remember that fasteners must be placed in the center of the nailing slots. **THE NON-CORROSIVE FASTENERS MUST BE INSTALLED INTO A SOLID SUBSTRATE OF NO LESS THAN 7/16" THICK.** When attaching the fasteners, be sure they only lightly touch the panel allowing it to move with varying temperatures. The fastener must be installed flush with the panel, so as not to interfere with the succeeding row of panels. For high velocity wind areas a fastener is required in every 6 inches which equals every third nailing slot.



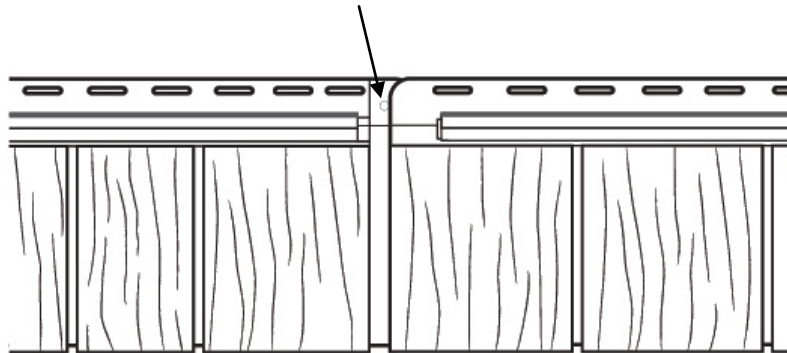
Step Five:

For all succeeding panels of the present row, simply position the panel approximately 2 inches below the previous panel and slide upward making sure to engage the fingers and the bottom locking rail. (Figure #4)



Note: As with any plastic exterior building material, Exteria panels will expand and contract with a change in temperature. Therefore, during installation it is necessary to position the panels properly to compensate for temperature effects. When installing at panel temperatures from 30 to 100 degrees Fahrenheit, position the next panel so that its upper left edge butts up against the stop post (see arrow). For installations at temperatures below 30 degrees F, position the next panel slightly right of the stop post (e.g. 1/16"). Once the panel has been properly spaced, insert a fastener into the center hole of the panel. For easier installation in colder temperatures, store panels in a heated area. (Figure #5)

(Figure #5)



Step Six:

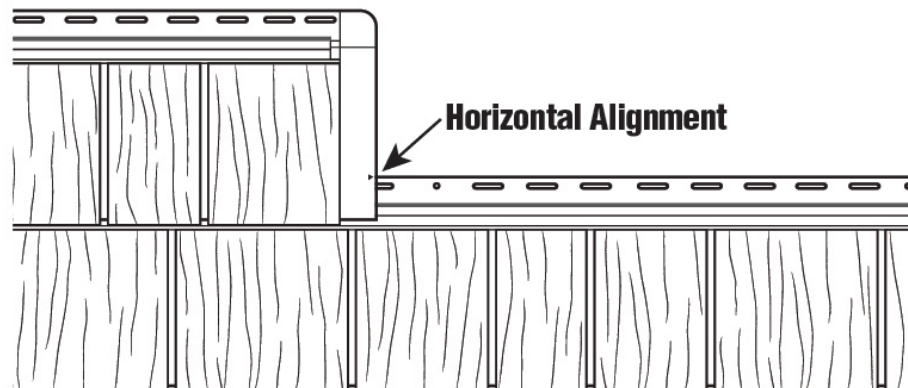
Repeat Steps Four through Five to complete the row

Step Seven:

Repeat Steps Five and Six to complete the row. The “drop” from the end of the first row can be used to start the next row.

Exteria provides a horizontal alignment arrow on the lower right side of each panel. Refer to this arrow to ensure that the height of the panels is consistent. For best installation, the right end piece of the row should be no less than 12" wide. (Figure #6)

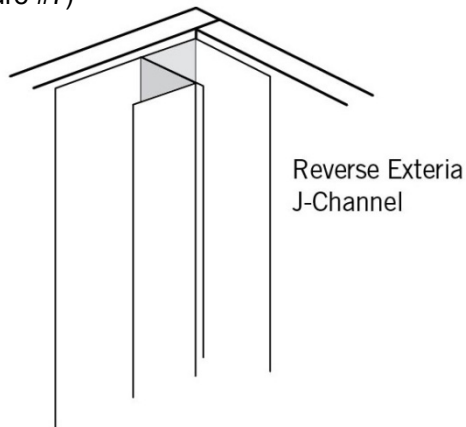
(Figure #6)



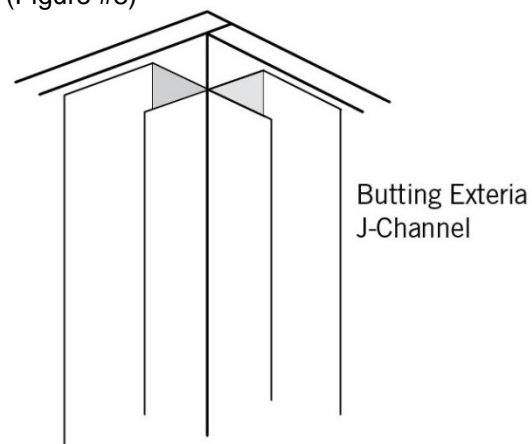
Note: If face nailing is employed, pre-drill a hole in an inconspicuous area, such as a shingle seam. The hole must be larger than the shank of the nail or screw, but smaller than the head to allow for possible expansion. The head can be covered with exterior latex or acrylic paint.

Step Eight: Exteria J-channels may be used for inside corner treatments. (Figures #7 and #8) It is recommended to sleeve the corner with vinyl or aluminum coil prior to installation of panels.

(Figure #7)



(Figure #8)



Reminders:

Some adjustments may need to be made at the vertical overlap of the two corners (as they are installed) in order to maintain the proper corner/ panel alignment. There is approximately a 1/2" vertical adjustment value.

Fitting panels between windows and around openings requires a cut-back spacing of approximately 1/8" to allow for product expansion.

Attaching Objects to Panels

Never attach fixtures directly to Exteria Siding. When attaching fixtures; use a block. Drill a hole slightly larger than the diameter of the fasteners, allowing for expansion and contraction. Follow the installation instructions of the mounting block or fixture manufacturer to ensure proper installation.

Special Situations and Suggestions

Situation:	Items to Check
1) Panels won't seat properly side to side	The wall may not be level and flat. Check previous panels to ensure that all panel bottom rails and fingers are properly seated. (See Basic Guidelines) Use shims as needed to ensure a level wall surface
2) The continuous bottom rail will not engage into the continuous top finger	
3) Panels are bucking on the wall	Make sure the nails are not restricting panel movement. Check for proper spacing at interlocks. Make sure nails are fully engaged.
4) Panels are not lying down flat	